

**WARRANTY** **ENGLISH**

The JBC 2 years warranty, guarantees this equipment against all manufacturing defects, covering the replacement of defective parts and all necessary labour.

Warranty does not cover product wear due to use or mis-use.

In order for the warranty to be valid, equipment must be returned, postage paid, to the dealer where it was purchased enclosing this, fully filled in, sheet.

**GARANTIA** **ESPAÑOL**

JBC garantiza este aparato durante 2 años, contra todo defecto de fabricación, cubriendo la reparación con sustitución de las piezas defectuosas e incluyendo la mano de obra necesaria.

Quedan excluidas de esta garantía las averías provocadas por mal uso del aparato y desgaste por uso.

Es indispensable para acogerse a esta garantía el envío del aparato al distribuidor donde se adquirió, a portes pagados, adjuntando esta hoja debidamente cumplimentada.

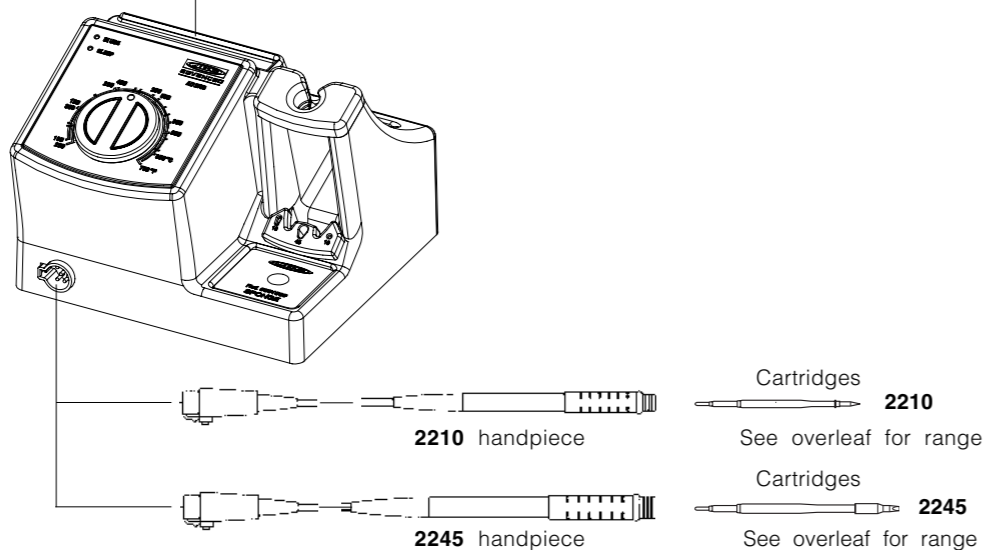
**GARANTIE** **FRANÇAIS**

JBC garantit cet appareil 2 ans contre tout défaut de fabrication. Cela comprend la réparation, le remplacement des pièces défectueuses et la main d'oeuvre nécessaire.

La garantie ne couvre pas l'usure liée à l'utilisation et à la mauvaise utilisation du matériel.

Pour bénéficier de cette garantie il est indispensable d'envoyer l'appareil chez le distributeur où il a été acquis, en ports payés, en joignant cette fiche dûment remplie.

**AD 2700**  
Control Unit 230V Ref. 2700200  
Control Unit 120V Ref. 2700100



**Structure of Advanced soldering stations system**

The Advanced series has basic modules giving you full flexibility for choosing what you need for the work in hand, the modules being supplied separately.

Soldering station: **AD 2700**.  
Dual soldering stations: **AD 4300** and **DD 5700**.  
Digital soldering stations: **DI 2850** and **DI 3000**.  
4 Tool station: **DM 6700**.  
Handpieces: **2210** and **2245**.  
Cartridges: range of **2210** and **2245** cartridges.

Stands:  
- **AD 8210** soldering iron stand Ref. 0788210 This stand has been especially designed for the **2210** handpiece.  
- **AD 8245** soldering iron stand Ref. 0788245 This stand has been especially designed for the **2245** handpiece.

For a station to work properly, a control unit, a handpiece and one cartridge are needed. The soldering iron stands are necessary to connect the handpieces to the **AD 4300, DD 5700, DI 2850, DI 3000, DM 6700, DS 5300, AR 5800** and **AM 6800** stations.

**HANDPIECES**

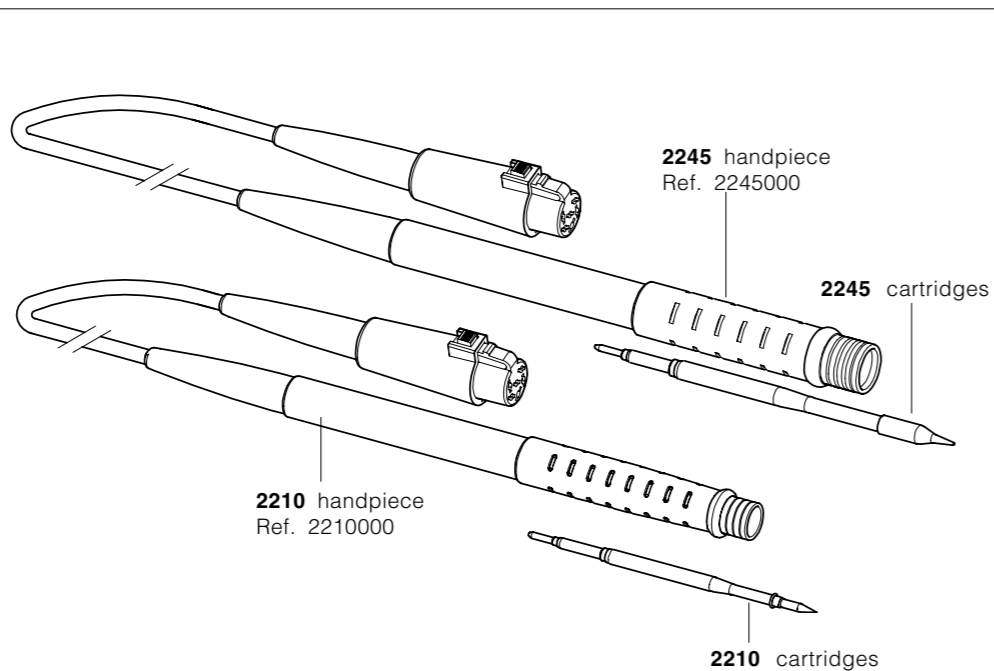
- **2210** handpiece Ref. 2210000.  
Power: 20W. For high precision work, SMD, etc.  
- **2245** handpiece Ref. 2245000.  
Power: 50W. For general soldering work.

One version of soldering iron handpiece covered with heat isolater is available:

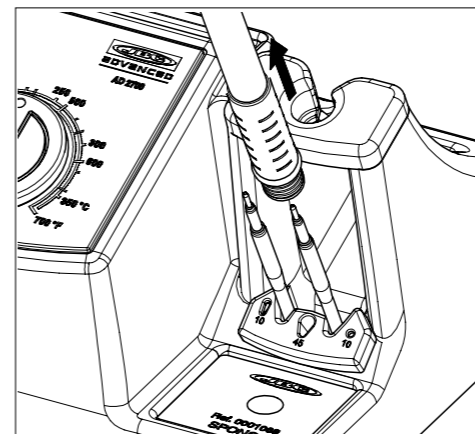
- **2245** confort handpiece Ref. 2245110.

The **2210** and **2245** handpieces and cartridges comply with the MIL-SPEC-2000 referring to the potential difference between the soldering tip and ground connection, must be less than 2 mV.

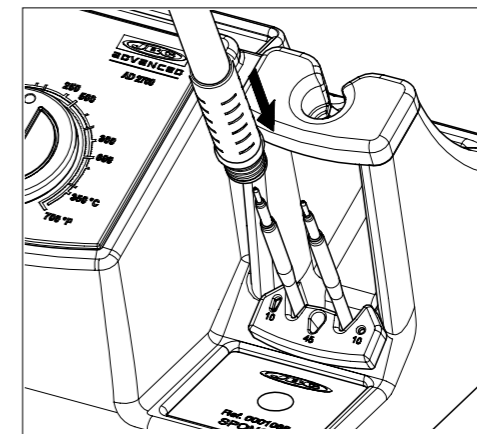
The **2210** and **2245** handpieces can be connected to the following JBC stations: **AD 2700, AD 4300, DD 5700, DI 2850, DI 3000, DM 6700, DS 5300, AR 5800, AM 6800** and **MS 9000**.



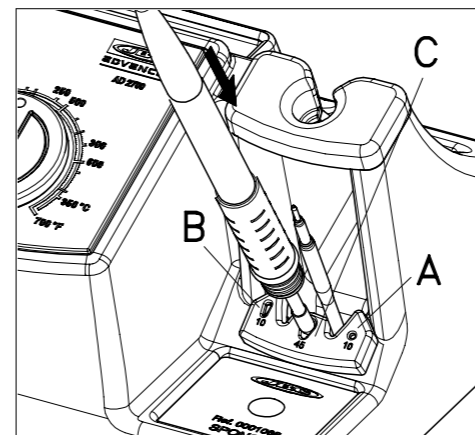
**Changing the handpiece's cartridge**



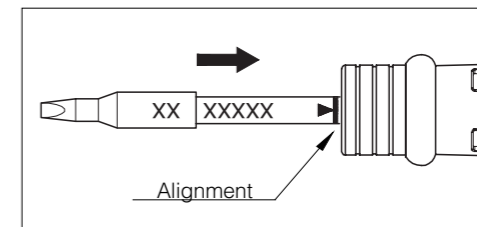
1 - Place the handpiece and remove the cartridge.



2 - Place the handpiece on top of the new cartridge, press it slightly down and remove the handpiece.

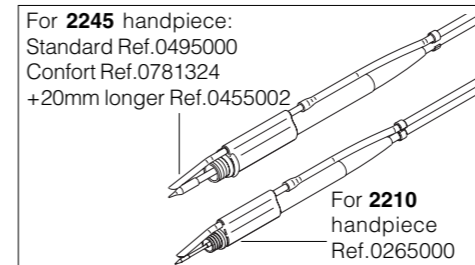


3 - Press the cartridge into the opening A, B or C:  
A. For straight 2210 cartridges.  
B. For curved 2210 cartridges.  
C. For 2245 cartridges.



**Important.**

- It is essential to insert the cartridge till the end for a good connection. Take the mark ▶ as reference.



**Fume extractor accessories**

Specially designed for the Advanced Series 2210 and 2245 handpieces. Easily clips onto the handpiece and can be quickly removed for easy maintenance.

0455430-0505

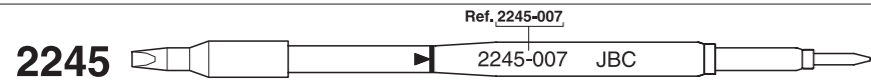
MANUFACTURED BY  
**JBC Industrias, S.A.**  
Ramón y Cajal, 3 - 08750 MOLINS DE REI  
BARCELONA - SPAIN  
Tel.: +34 93 325 32 00 - Fax: +34 93 680 49 70  
http://www.jbc tools.com e-mail: info@jbc tools.com



**SOLDERING  
HANDPIECES**

2210  
2245

**CARTRIDGE RANGE**



Ø0,2	2245-030
Ø0,4	2245-032
Ø0,4	2245-036
Ø0,4	2245-037
Ø0,6	2245-001 2245-201*
Ø0,6	2245-057
Ø1	2245-003
Ø1,5	2245-043
Ø2	2245-033
Ø0,4	2245-029
Ø0,4	2245-034 2245-234*
Ø0,6	2245-035
Ø0,6	2245-004 2245-204*
Ø1	2245-259*
Ø1,5	2245-260*
Ø2	2245-062 2245-262*
1x0,5	2245-063 2245-263*
1,6x0,6	2245-046 2245-246*

\* These cartridges have a total length of 20mm longer than the normal cartridges, allowing them to reach places with difficult access and cartridges 2245-XXX are compatible with the AP 1300 solder feed iron.

**FOR CHIP COMPONENTS**

Ref.	A
2245-005	
2245-045 2245-245*	
2245-012 2245-212*	
2245-256*	
2245-051	
2245-006 2245-206*	
2245-044	
2245-007	
2245-011 2245-211*	
2245-061 2245-261*	
2245-008 2245-208*	
2245-066 2245-266*	

**TUNNEL TYPE FOR DUAL IN LINE IC**

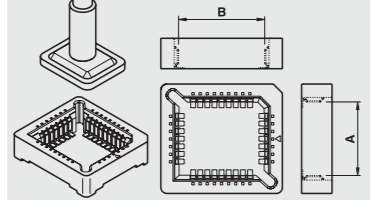
**BLADE TYPE**

Ref.	A
2245-014	10
2245-013	31
2245-049	32
2245-283 *	50

\* This cartridge has been especially designed for the PA 4200 tweezers.

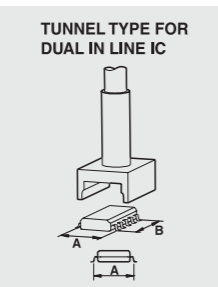
**FOR PLCC SOCKETS**

Ref.	NUMBER OF CONTACT POSITIONS	A	B
2245-248	32	11,9	14,5
2245-247	44	17,0	17,0

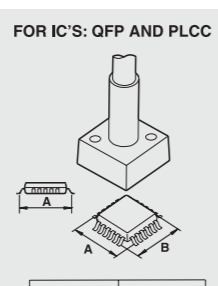


**FOR CHIP COMPONENTS**

Ref.	A
2245-016	1,9
2245-017	2,2
2245-018	3,4
2245-019	4,5



Ref.	A	B
2245-220	5,9	6,0
2245-250	5,9	8,0
2245-221	5,9	10,0
2245-222	7,5	13,5
2245-215	9,6	18,0
2245-226	14,6	28,4



Ref.	A x B
2245-223	8,5 x 8,5
2245-224	12,0 x 12,0
2245-228	12,4 x 15,0
2245-227	17,5 x 17,5

**TO SOLDER SMT IC**

**MINI SPOON**

Ref.	ØA
2245-065	1,8
2245-031	2,6
2245-038	3,7

**BEVEL EDGE TIP**

**BLADE TYPE**

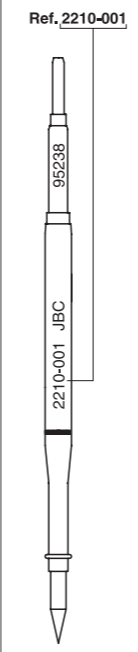
Ref.	A
2245-914	10

**BEVEL EDGE TIP**

**LEAD-FREE CARTRIDGES**  
These cartridges are made to last longer in lead-free processes because of their extra tough plating.

Ø0,5	2245-930
Ø0,6	2245-932
Ø0,8	2245-901 2245-801*
Ø0,8	2245-957
Ø1,2	2245-903
Ø1,7	2245-943
Ø0,8	2245-935
Ø0,8	2245-904 2245-804*
Ø1,2	2245-962
1,2x0,7	2245-963
1,8x0,8	2245-946 2245-846*
2,2x1	
Ø1,5	2245-905
Ø2,2	2245-945 2245-845*
Ø3	2245-912 2245-812*
1,2x0,7	2245-906 2245-806*
1,8x0,8	2245-944
2,3x1,2	2245-907
3,2x1,2	2245-911 2245-811*
4,8x1,5	2245-908 2245-808*

**2210**



**CARTRIDGE RANGE**

Ø0,2	2210-009
Ø0,3	2210-001
Ø0,5	2210-013
Ø0,6	2210-003
Ø1	2210-005
Ø0,2	2210-002
Ø0,3	2210-010
Ø0,5	2210-014
Ø0,7	2210-004
Ø1	2210-006
1,3x0,6	2210-008
2,3x0,7	2210-007

**FINE PITCH**



**GARANTIE DEUTSCH**

Für das vorliegende Gerät übernimmt JBC eine Garantie von 2 Jahren , für alle Fabrikationsfehler. Diese Garantie schliesst die Reparatur bzw. den Ersatz der defekten Teile sowie die entsprechenden Arbeitskosten ein.

Ausgeschlossen von dieser Garantieleistung sind durch unsachgemässen Gebrauch hervorgerufene Betriebsstörungen und normale Gebrauchsabnützungen.

Zur Inanspruchnahme dieser Garantie muss das Gerät portofrei an den Vertriebshändler geschickt werden, bei dem es gekauft wurde. Fügen Sie dieses vollständig ausgefüllte Blatt bei.

**GARANZIA ITALIANO**

La JBC garantisce quest'apparato 2 anni contro ogni difetto di fabbricazione, e copre la riparazione e la sostituzione dei pezzi difettosi, includendo la mano d'opera necessaria.

Sono escluse da questa garanzia le avarie provocate da cattivo uso dell'apparato e logorio da utilizzo.

Per usufruire di questa garanzia, è indispensabile inviare, in porto franco, l'apparato al distributore presso il quale è stato acquistato, unitamente a questo foglio debitamente compilato.

SERIAL N°
STAMP OF DEALER SELLO DEL DISTRIBUIDOR CACHET DU DISTRIBUTEUR STEMPEL DES HÄNDLERS TIMBRO DEL DISTRIBUTORE
DATE OF PURCHASE FECHA DE COMPRA DATE D'ACHAT KAUF DATUM DATA DI ACQUISTO