

JBC**GARANTIE****DEUTSCH**

Für das vorliegende Gerät übernimmt JBC eine Garantie von 2 Jahren, für alle Fabrikationsfehler. Diese Garantie schliesst die Reparatur bzw. den Ersatz der defekten Teile sowie die entsprechenden Arbeitskosten ein.

Ausgeschlossen von dieser Garantieleistung sind durch unsachgemässen Gebrauch hervorgerufene Betriebsstörungen und normale Gebrauchsabnützungen.

Zur Inanspruchnahme dieser Garantie muss das Gerät portofrei an den Vertriebshändler geschickt werden, bei dem es gekauft wurde. Fügen Sie dieses vollständig ausgefüllte Blatt bei.

GARANZIA**ITALIANO**

La JBC garantisce quest'apparato 2 anni contro ogni difetto di fabbricazione, e copre la riparazione e la sostituzione dei pezzi difettosi, includendo la mano d'opera necessaria.

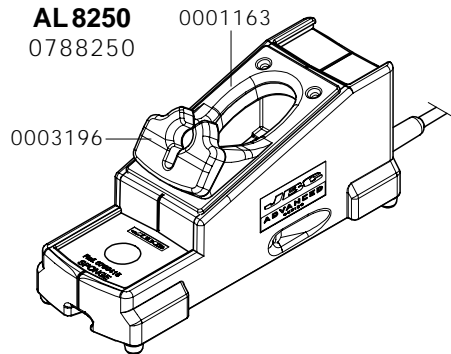
Sono escluse da questa garanzia le avarie provocate da cattivo uso dell'apparato e logorio da utilizzo.

Per usufruire di questa garanzia, è indispensabile inviare, in porto franco, l'apparato al distributore presso il quale è stato acquistato, unitamente a questo foglio debitamente compilato.

SERIAL N°

STAMP OF DEALER

DATE OF PURCHASE

AL 8250
0788250

Adaptable to: **2500** solder feed system.
This stand can be connected to the following JBC station: **AL 2500**.

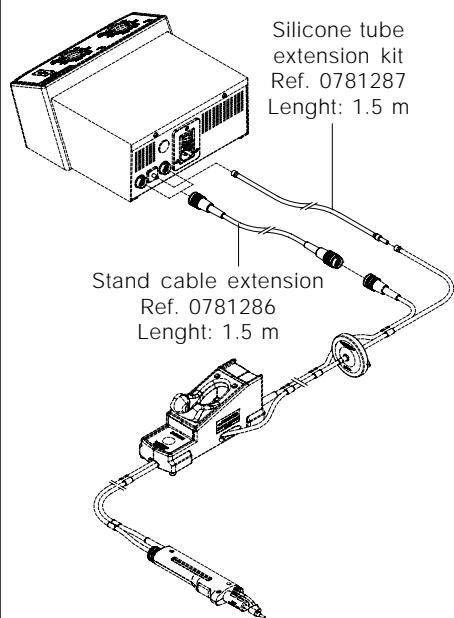
Accessories for stand.

0780415

Sponge
Espanja
Éponge
Schwäm
Spugnetta

To clean the tips, use the sponge included with the stand and check it is slightly moisted.

Only deionised water (car battery water) should be used in order to wet the sponge. If normal water was to be used, it is very probable that the tip will become dirty due to the salts dissolved within the water.



Silicone tube
extension kit
Ref. 0781287
Lenght: 1.5 m

Stand cable extension
Ref. 0781286
Lenght: 1.5 m

It is possible to extend the stand cable by means of an accessory called "stand cable extension", Ref. 0781286. By doing so, the user can have the control unit further away from the tools and off his/her work table.

For the aspiration tube of the desoldering iron, a silicone tube extension kit, Ref. 0781287, has also been manufactured.

For both kits, the length of the cable is 1.5 m.

MANUFACTURED BY
JBC Industrias, S.A.

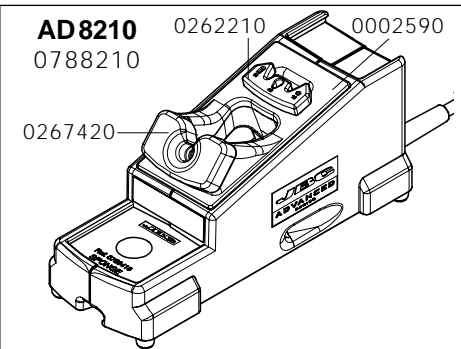
Ramón y Cajal, 3 - 08750 MOLINS DE REI
BARCELONA - SPAIN

Tel.: +34 93 325 32 00 - Fax: +34 93 680 49 70
<http://www.jbctools.com> e-mail: info@jbctools.com

0781042-1206

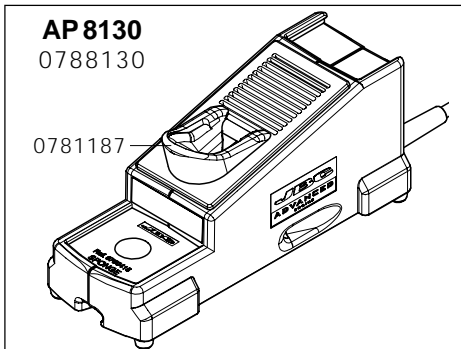
JBC
ADVANCED
series

STANDS



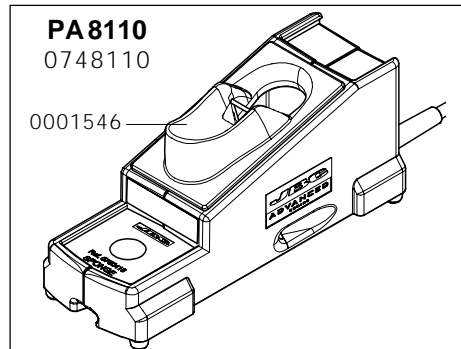
AD8210
0788210

Adaptable to: **2210 soldering handpiece**.
This stand can be connected to the following JBC stations: **AD 4300, DI 3000, DI 2850, DS 5300, DD 5700, DM 6700, AR 5800** and **AM 6800**.



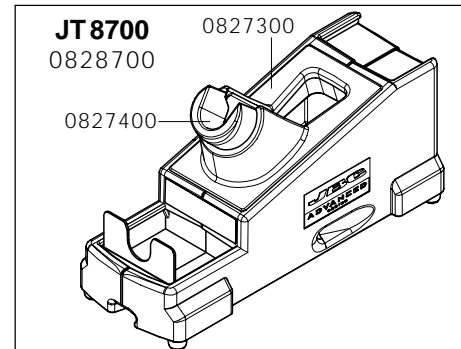
AP8130
0788130

Adaptable to: **AP 1300 solder feed iron**.
This stand can be connected to the following JBC stations: **AD 4300, DI 3000, DI 2850, DS 5300, DD 5700, DM 6700, AR 5800** and **AM 6800**.



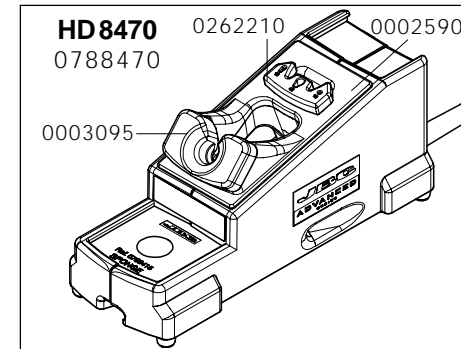
PA8110
0748110

Adaptable to: **PA 1200 micro hot tweezers**.
This stand can be connected to the following JBC stations: **AD 4300, DI 3000, DI 2850, DS 5300, DD 5700, DM 6700, AR 5800** and **AM 6800**.



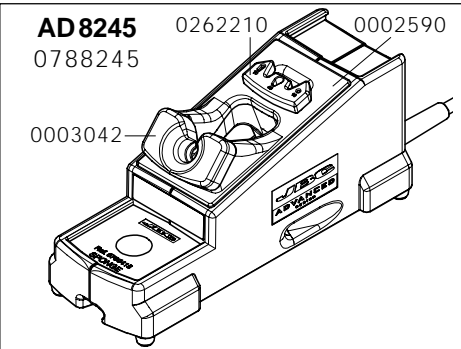
JT8700
0828700

Adaptable to: **heater of JT 7700**.
This stand is valid to the following JBC stations: **JT 7700** and **AM 6800**.



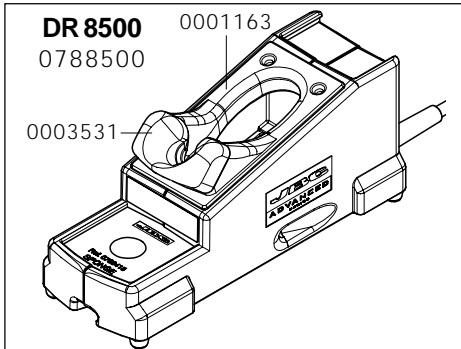
HD8470
0788470

Adaptable to: this stand is specially designed for the **4700 cartridge range**.
This stand is valid to the following JBC station: **HD 4700**.



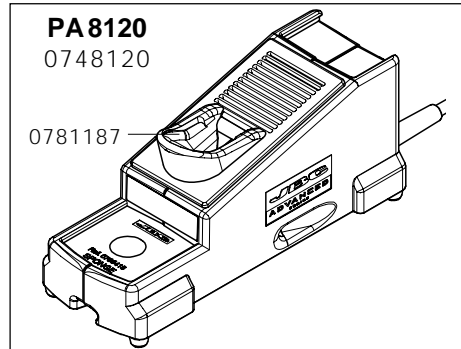
AD8245
0788245

Adaptable to: **2245 soldering handpiece**.
This stand can be connected to the following JBC stations: **AD 4300, DI 3000, DI 2850, DS 5300, DD 5700, DM 6700, AR 5800** and **AM 6800**.



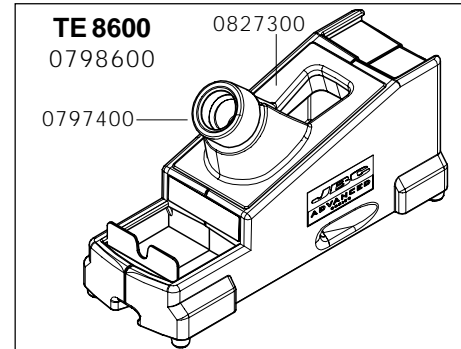
DR8500
0788500

Adaptable to: **DR 5600 desoldering iron**.
This stand can be connected to the following JBC stations: **DS 5300, DD 5700, DM 6700, AR 5800** and **AM 6800**.



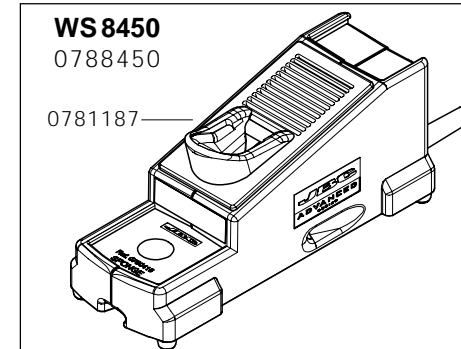
PA8120
0748120

Adaptable to: **PA 4200 hot tweezers**.
This stand can be connected to the following JBC stations: **AD 4300, DI 3000, DI 2850, DS 5300, DD 5700, DM 6700, AR 5800** and **AM 6800**.



TE8600
0798600

Adaptable to: **heater of TE 5400**.
This stand is valid to the following JBC station: **TE 5400**.



WS8450
0788450

Adaptable to: **4500 cable stripper tweezers**.
This stand is valid to the following JBC station: **WS 4500**.

WARRANTY

ENGLISH

The JBC 2 years warranty, guarantees this equipment against all manufacturing defects, covering the replacement of defective parts and all necessary labour.

Warranty does not cover product wear due to use or mis-use.

In order for the warranty to be valid, equipment must be returned, postage paid, to the dealer where it was purchased enclosing this, fully filled in, sheet.

GARANTIA

ESPAÑOL

JBC garantiza este aparato durante 2 años, contra todo defecto de fabricación, cubriendo la reparación con sustitución de las piezas defectuosas e incluyendo la mano de obra necesaria.

Quedan excluidas de esta garantía las averías provocadas por mal uso del aparato y desgaste por uso.

Es indispensable para acogerse a esta garantía el envío del aparato al distribuidor donde se adquirió, a portes pagados, adjuntando esta hoja debidamente cumplimentada.

GARANTIE

FRANÇAIS

JBC garantit cet appareil 2 ans contre tout défaut de fabrication. Cela comprend la réparation, le remplacement des pièces défectueuses et la main d'œuvre nécessaire.

La garantie ne couvre pas l'usure liée à l'utilisation et à la mauvaise utilisation du matériel.

Pour bénéficier de cette garantie il est indispensable d'envoyer l'appareil chez le distributeur où il a été acquis, en ports payés, en joignant cette fiche dûment remplie.

